

# Art. 04 01



FRESA PER GIUNZIONI AD "S"



GLUE JOINT CUTTERHEADS "S"-PROFILE



PORTE-OUTILS JOINT A COLLER PROFIL "S"



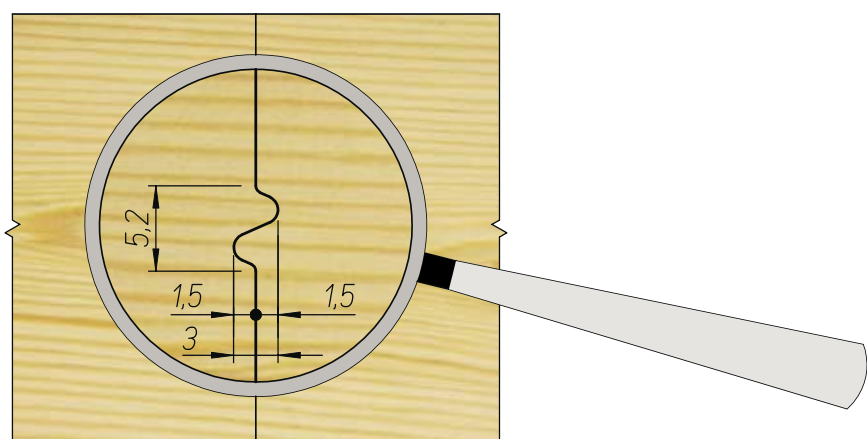
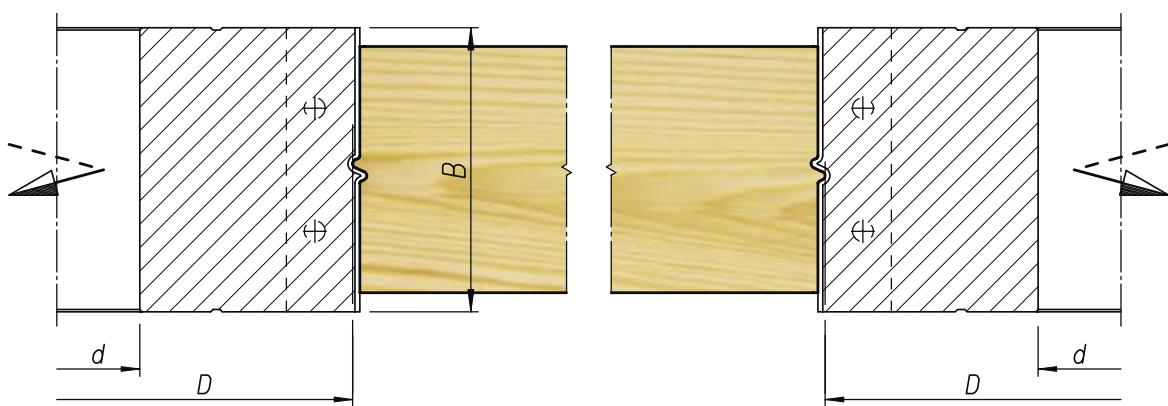
VERLEIMMESSERKÖPFE, "S"-PROFIL



FRESA PARA UNIONES A "S"



ФРЕЗЫ ДЛЯ ПРОДОЛЬНОГО СРАЩИВАНИЯ НА "S"-ОБРАЗНЫЙ ШИП



## Ricambi-Spare Parts

Cod. Z2	Cod. Z4	D	B	d	RPM max
100 060 02	-	100	60	30→35	10500
100 080 02	-	100	80	30→35	10500
125 060 02	125 060 04	125	60	30→50	9100
125 080 02	125 080 04	125	80	30→50	9100
140 060 02	140 060 04	140	60	30→50	7700
140 080 02	140 080 04	140	80	30→50	7700

Descrizione-Description	Dimensione-Dimension	Codice-Code
Coltello-Knive	60mm	I60S9871D
Tassello-Wedge	-	I60S9871D/T
Coltello-Knive	80mm	I60S8149D
Tassello-Wedge	-	I60S8149/T
Vite-Screw	M7x24	V13.7/24,6CE
Fermo-Allen Head	M6x14	V18.6/14

**VIVALDI**