

Art. 12 03

 **GRUPPI PER
ALZANTE SCORREVOLI**

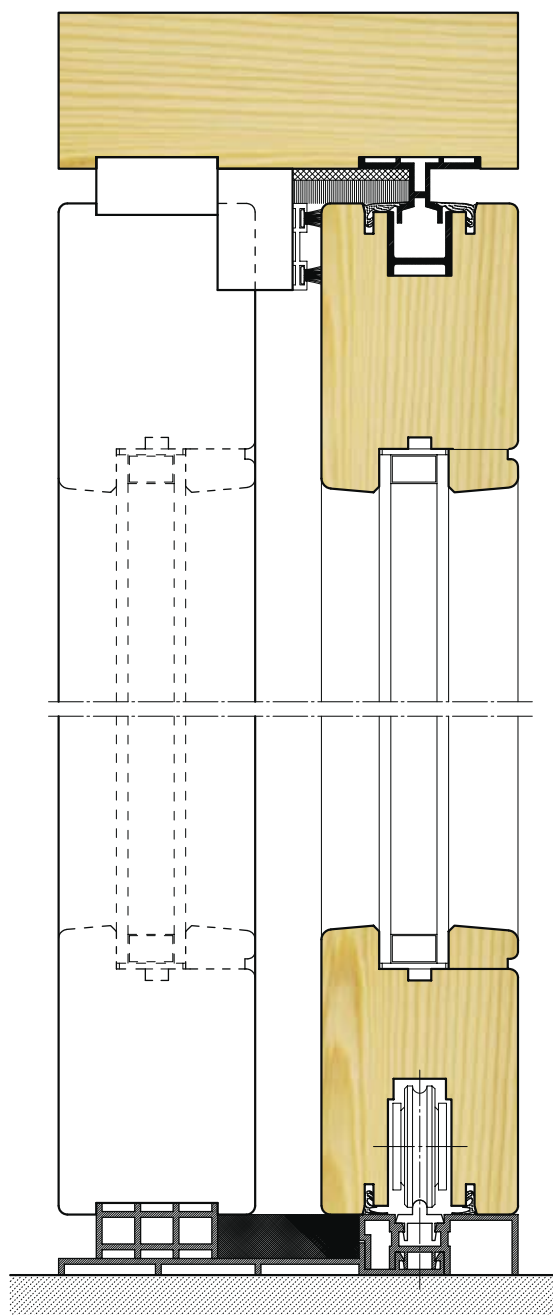
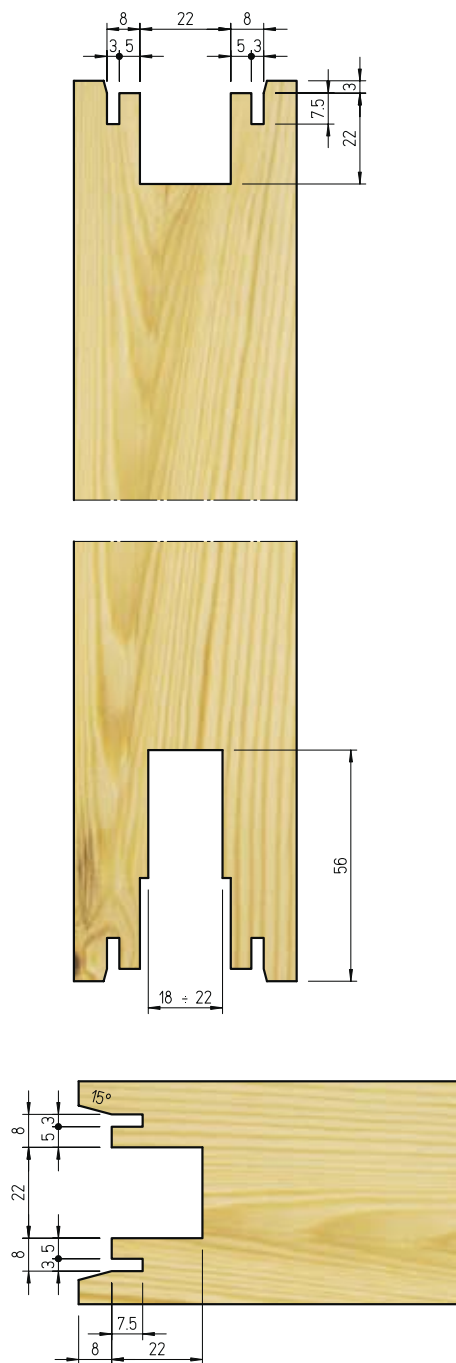
 **TOOL SET
FOR SLIDING DOORS**

 **OUTILS POUR
COULISSANT**

**WERKZEUGSATZ FÜR
HEBE/SCHIEBE-TÜREN** 

**GRUPO
PARA CORREDIZAS** 

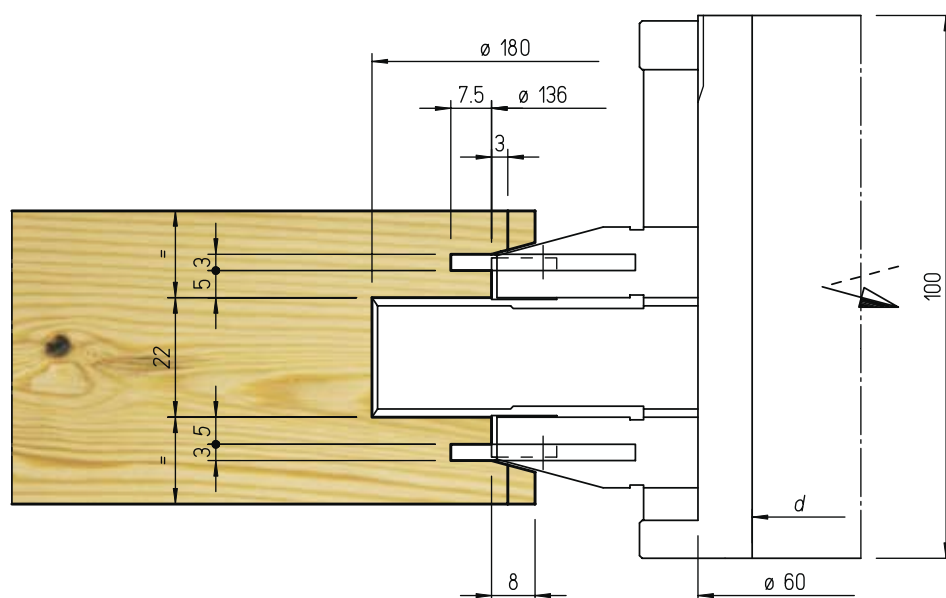
**КОМПЛЕКТ ФРЕЗ ДЛЯ ИЗГОТОВЛЕНИЯ
РАЗДВИЖНЫХ ДВЕРЕЙ** 



VIVALDI

gruppo frese tool set

| Cod. | d | Z | RPM max |
|------------|-------|---|---------|
| 180 000 01 | 30→50 | 2 | 6600 |

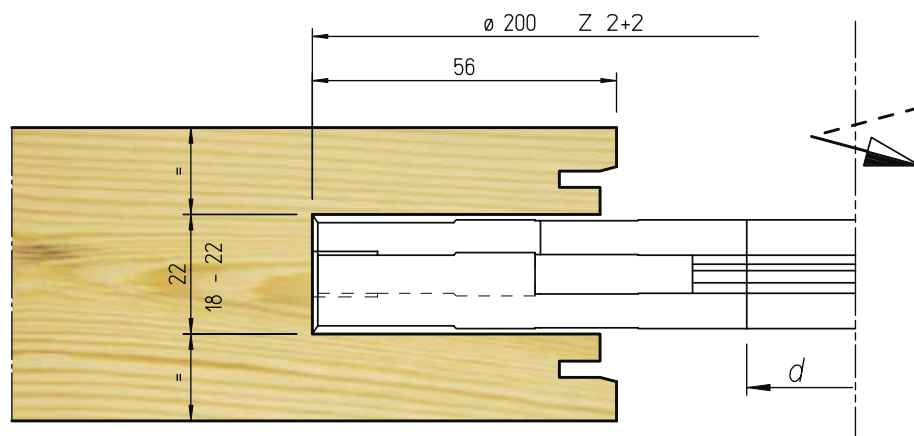


fresa ripasso

Art. 02 03

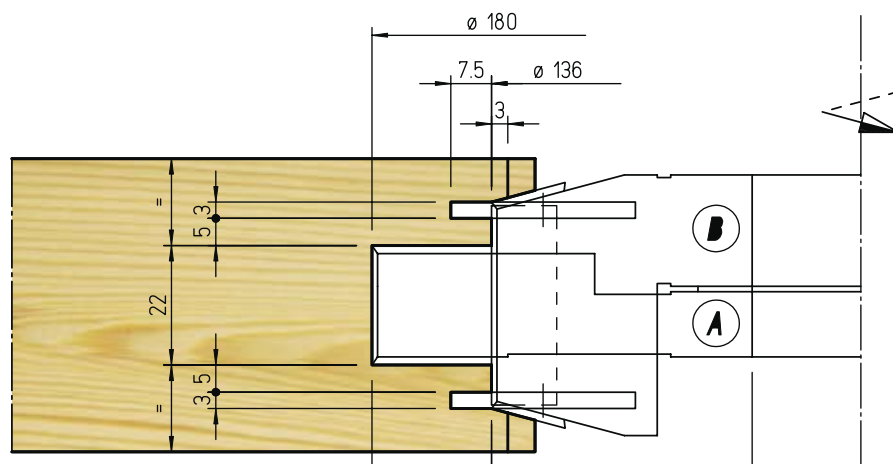
| Cod. | d | Z | RPM max |
|------------|-------|-----|---------|
| 200 163 00 | 30→50 | 2+2 | 6200 |

vedi pag.44 - see at page n.44

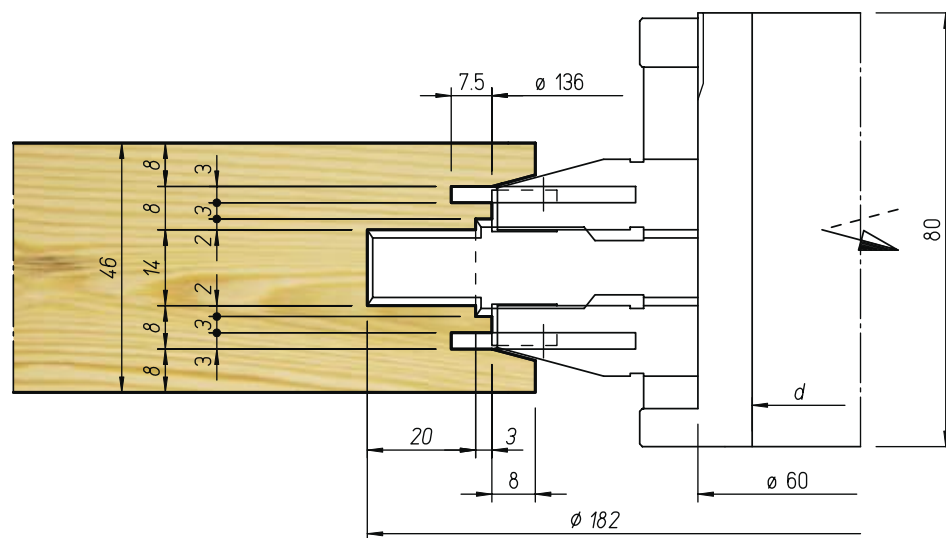


set 2 elementi set of 2 elements

| Cod. A+B | d | Z | RPM max |
|------------|-------|---|---------|
| 180 000 02 | 30→50 | 2 | 6600 |

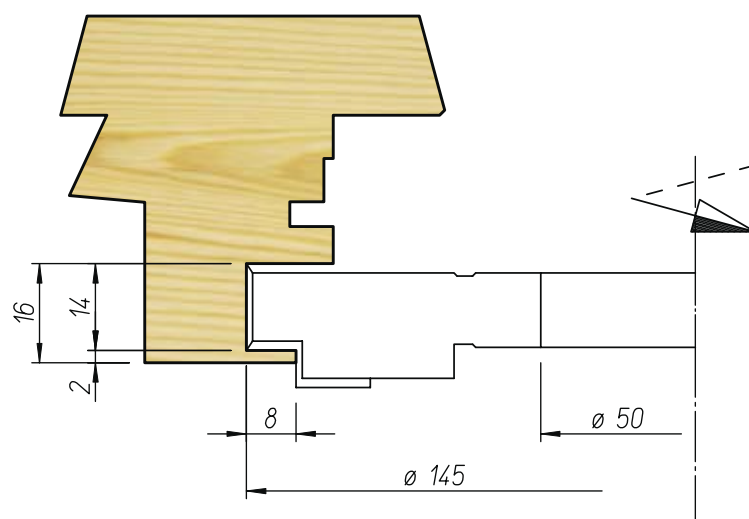


gruppo frese per "Orfea"



| Cod. A+B | d | Z | RPM max |
|------------|-------|---|---------|
| 180 000 03 | 30→50 | 2 | 6600 |

fresa per ferramenta "FERCO"



| Cod. A+B | d | Z | RPM max |
|------------|----|---|---------|
| 145 000 04 | 50 | 2 | 7500 |