

Art. 11 04

 **GRUPPI PER PORTE
E ANTINE PROFILO "15mm"**

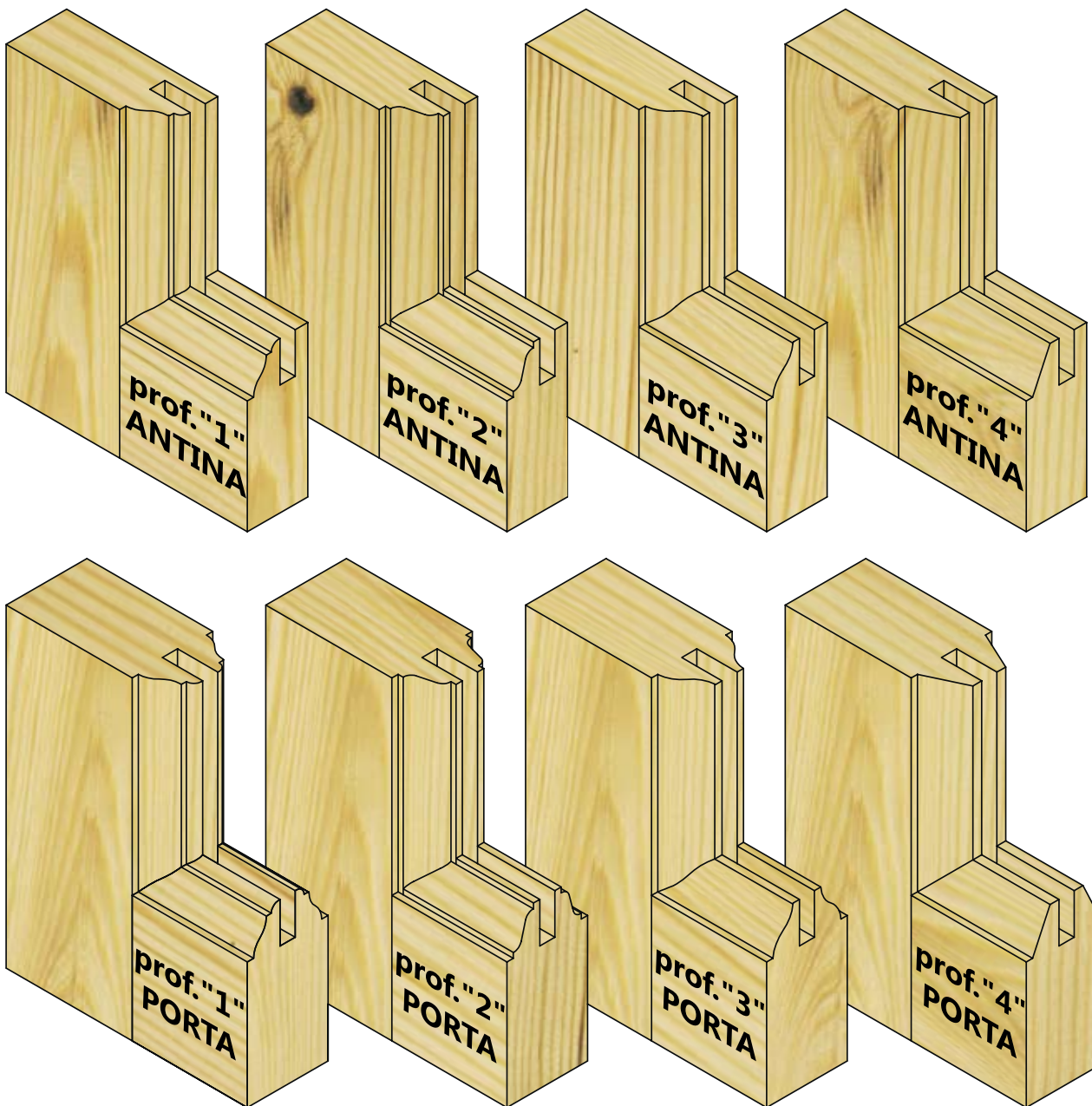
 **CUTTER HEADS FOR DOORS &
KITCHEN CABINET, PROFILE 15 mm**

 **GROUPES D'OUTILS MULTIPROFIL
POUR PORTES MOULURE DE 15mm**

**WERKZEUGSATZ MIT
PROFILTIEFE 15 mm** 

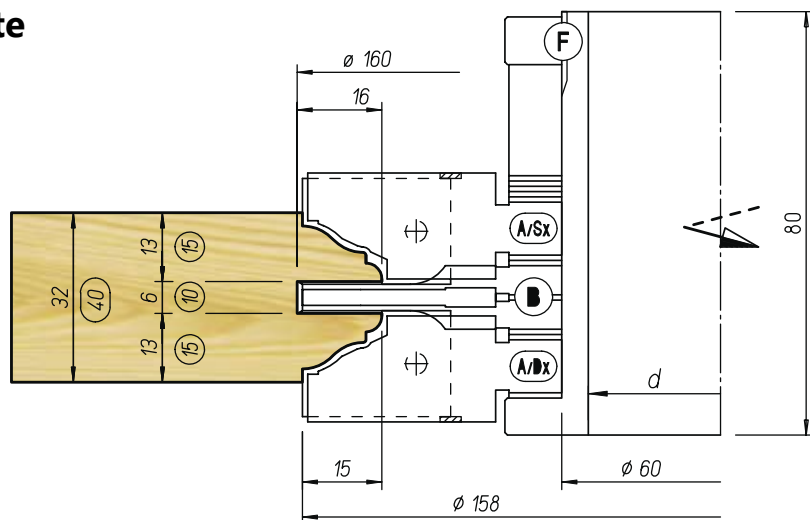
**GRUPOS PARA PUERTAS Y PUERTAS DE COCINA.
PERFIL DE 15 mm** 

**КОМПЛЕКТ ФРЕЗ ДЛЯ ДВЕРЕЙ И КУХОННЫХ
ФАСАДОВ "15мм"** 

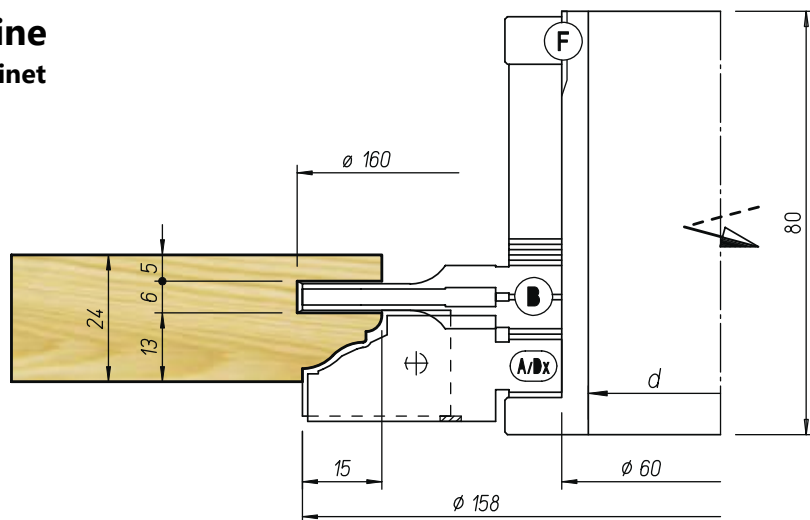


VIVALDI

Profilatura Porte Profiling Doors

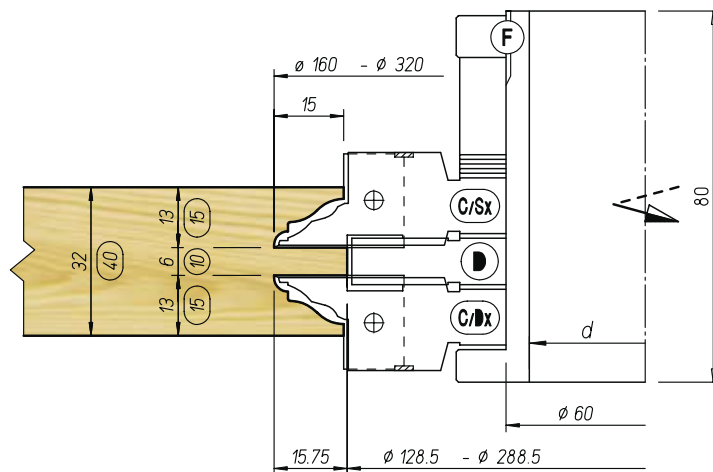


Profilatura Antine Profiling Kitchen Cabinet

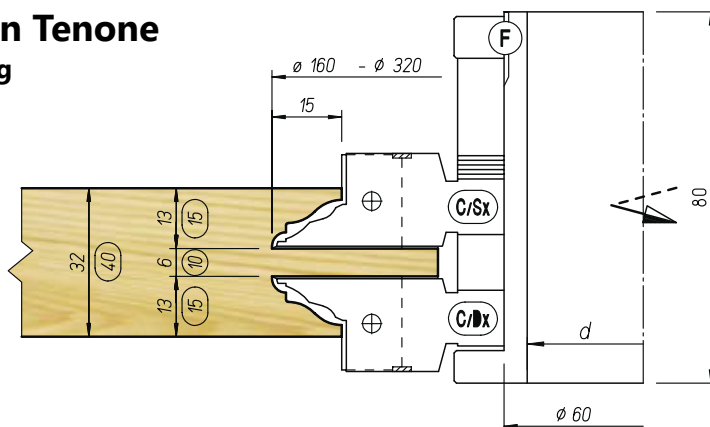


Ref.	Cod.	d	Z	RPM max
A Dx	158 020 00	-	2+2	7100
A Sx	158 020 01	-	2+2	7100
B	160 059 50	-	2	7100
F	080 060 01	30→50	-	-
Adx+B+Asx+F	160 000 01	30→50	2	7100
Adx+B+F	160 000 02	30→50	2	7100

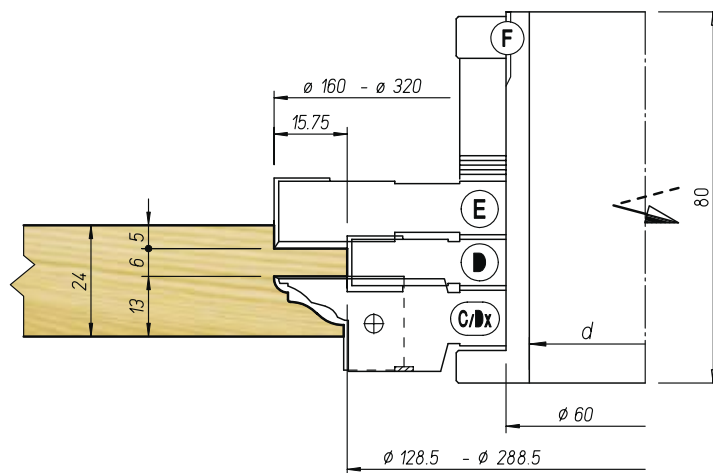
Controprofilatura Porte Counterprofiling Doors



Controprofilatura Porte con Tenone Counterprofiling Doors with Tenoning

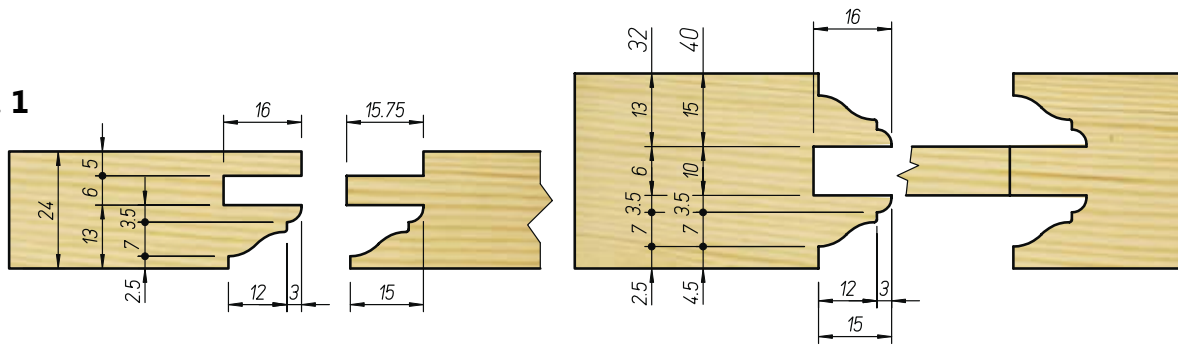


Controprofilatura Antine Counterprofiling Kitchen Cabinet

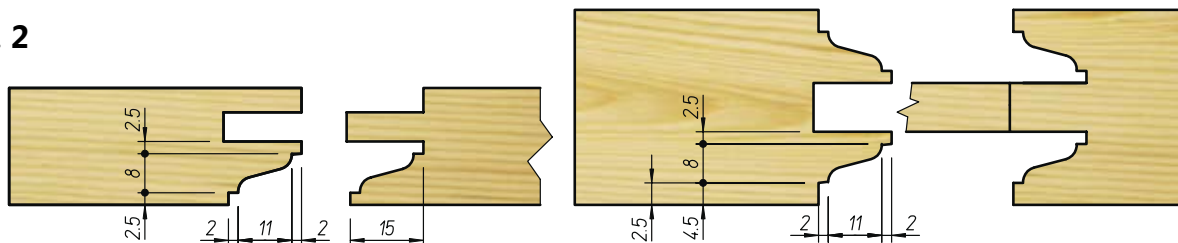


Ref.	Vers. Ø 160				Vers. Ø 320			
	Cod.	d	Z	RPM max	Cod.	d	Z	RPM max
C Dx	160 020 00	-	2 V2	7100	320 020 00	-	4 V4	4300
C Sx	160 020 01	-	2 V2	7100	320 020 01	-	4 V4	4300
D	128 012 00	-	2	8000	288 012 50	-	2	4500
E	160 015 00		2 V2	7100	320 015 00		4 V4	4300
F	080 060 01	30→50	-	-	080 060 01	30→50	-	-
Cdx+D+Csx+F	160 000 03	30→50	2	7100	320 000 03	30→50	4	4300
Cdx+Csx+F	160 000 04	30→50	2	7100	320 000 04	30→50	4	4300
Cdx+D+E+F	160 000 05	30→50	2	7100	320 000 05	30→50	4	4300

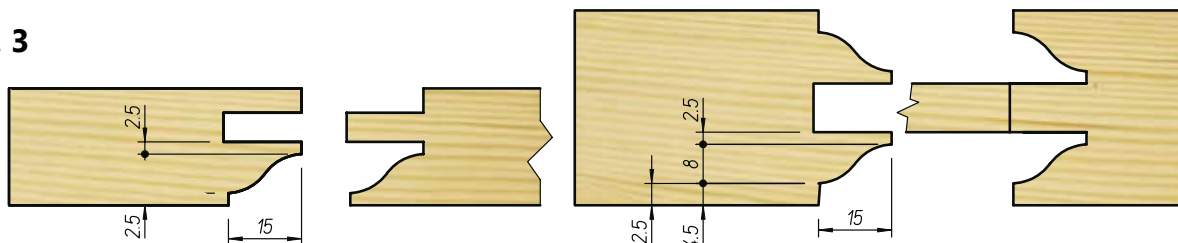
Prof. 1



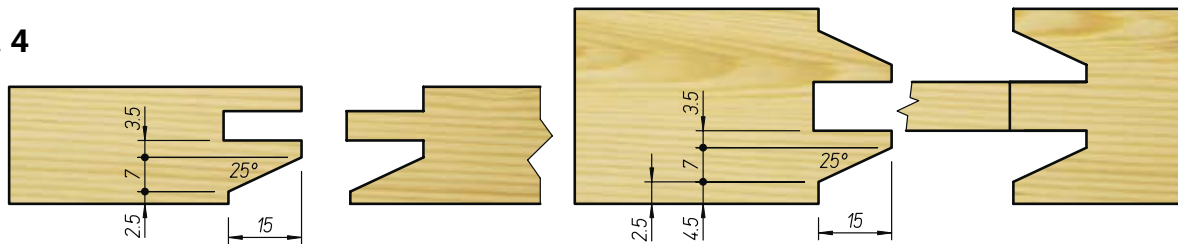
Prof. 2






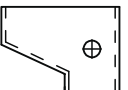

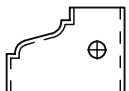
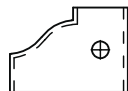
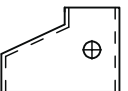



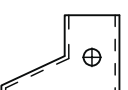

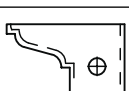
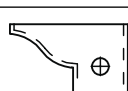
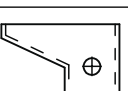
Prof. 3



Prof. 4



Ricambi Sagomati - Profiled Knives

I60.S4282S 	I60.S4283S 	I60.S4284S 	I60.S4285S 
I60.S4282D 	I60.S4283D 	I60.S4284D 	I60.S4285D 
I60.S4286S 	I60.S4287S 	I60.S4288S 	I60.S4289S 
I60.S4286D 	I60.S4287D 	I60.S4288D 	I60.S4289D 

L'utensile viene fornito con 1 profilo a scelta.
Tool is supplied with 1 profile to choose from 5 profiles available