

Art. 11 01



GRUPPI PER PORTE
MULTIPROFILO 44 mm



TOOL SET WITH
5 PROFILES FOR 44 mm DOORS



GROUPES D'OUTILS MULTIPROFIL
POUR PORTES EP.44mm



WERKZEUGSET MIT
5 PROFILEN, 44 mm



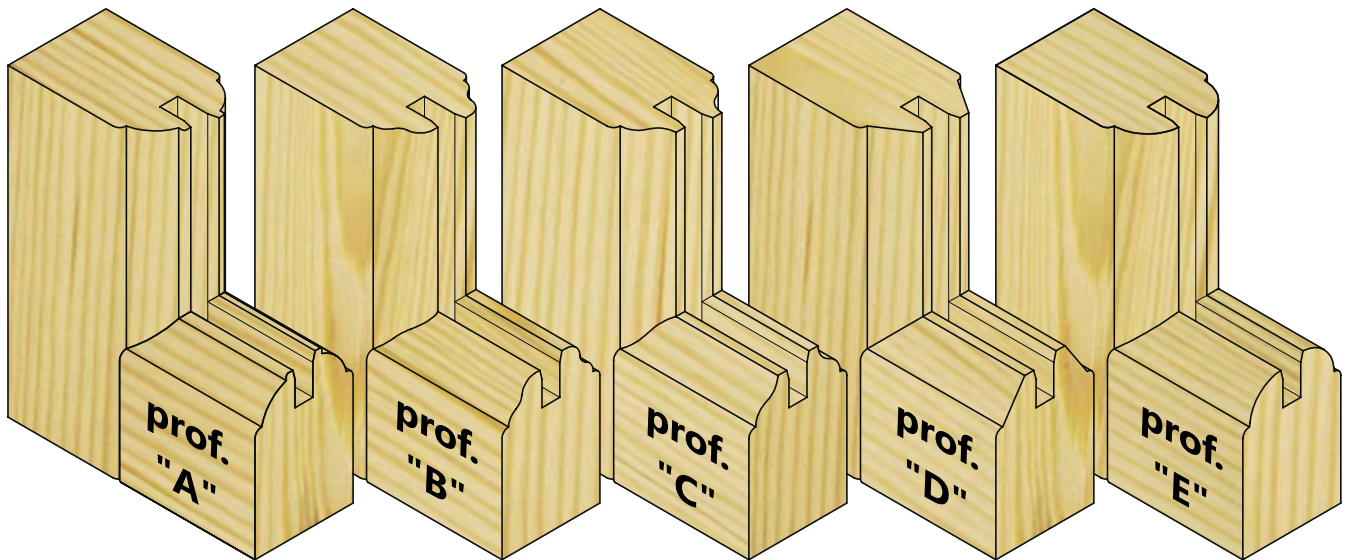
GRUPO PARA PUERTAS
MULTIPERFIL DE "44"



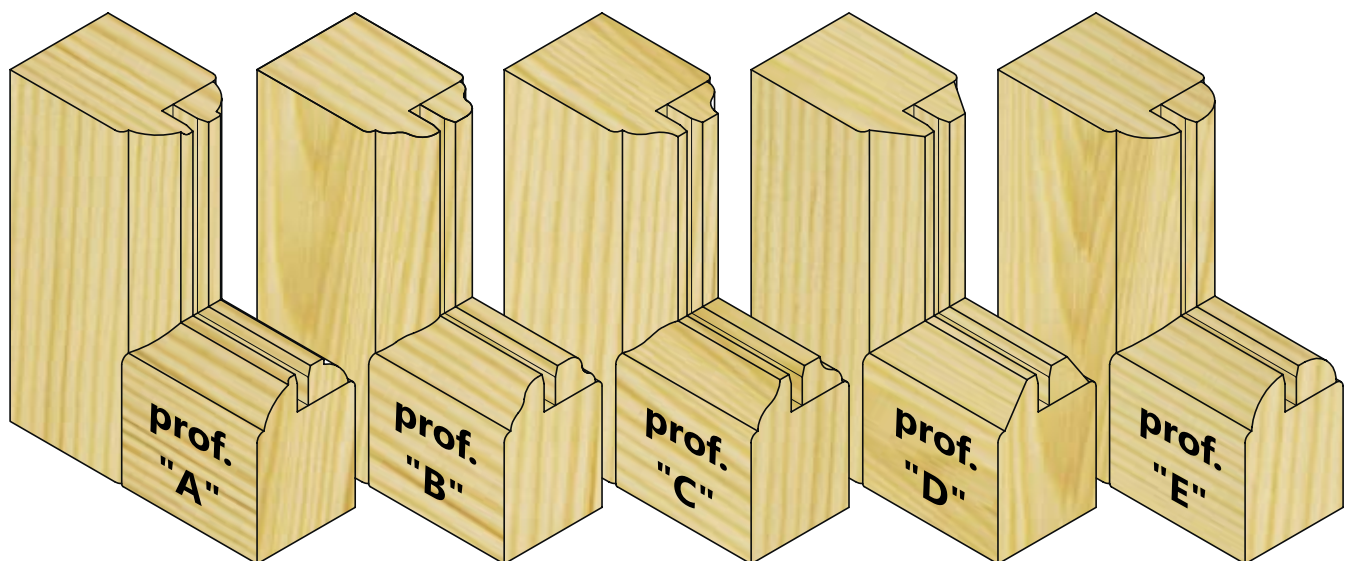
КОМПЛЕКТ МУЛЬТИПРОФИЛЬНЫХ ФРЕЗ
ДЛЯ ДВЕРЕЙ 44мм



Vetro Infilato - Glass Assembled



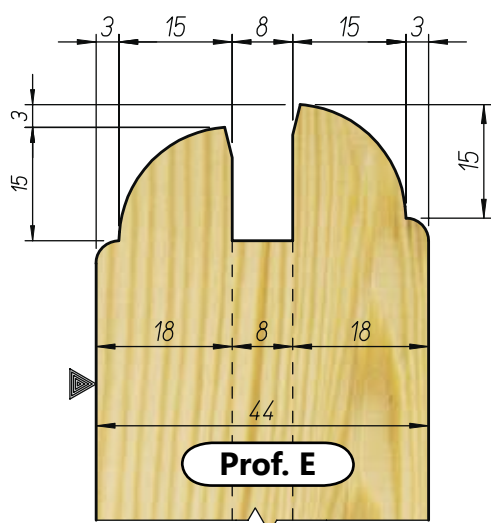
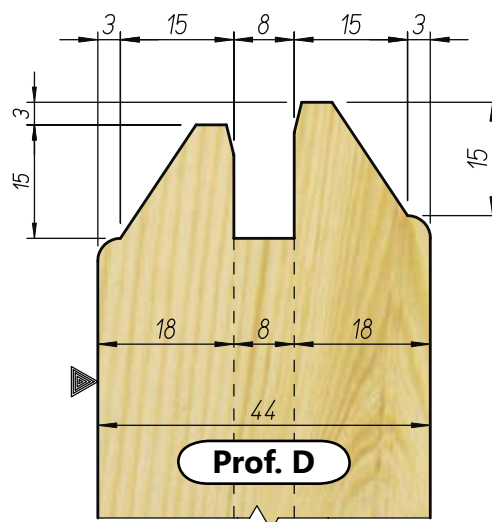
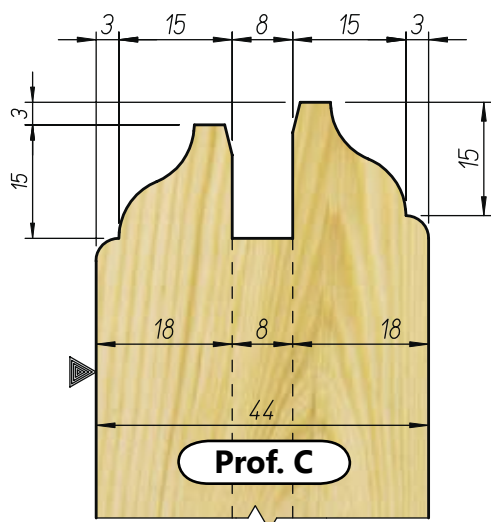
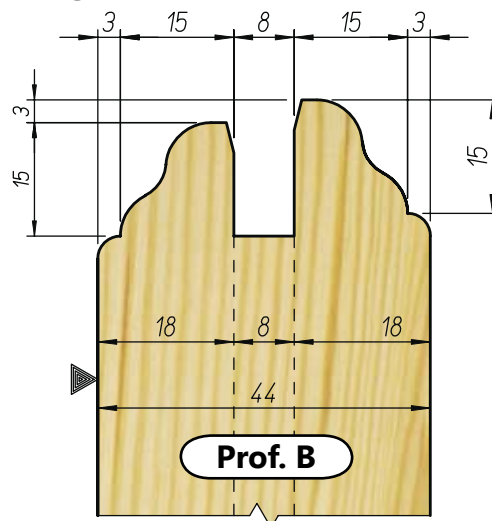
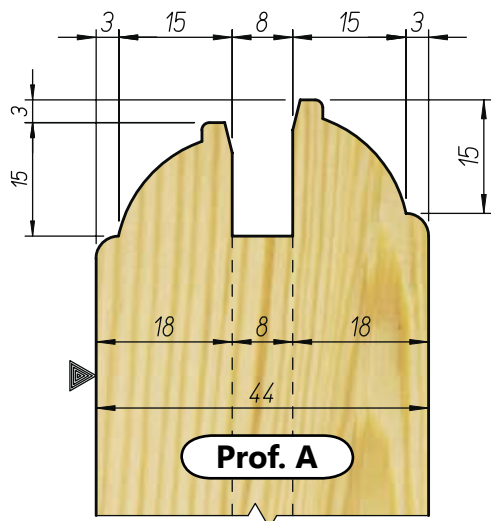
Listello Recuperato - Glazing Bar



VIVALDI

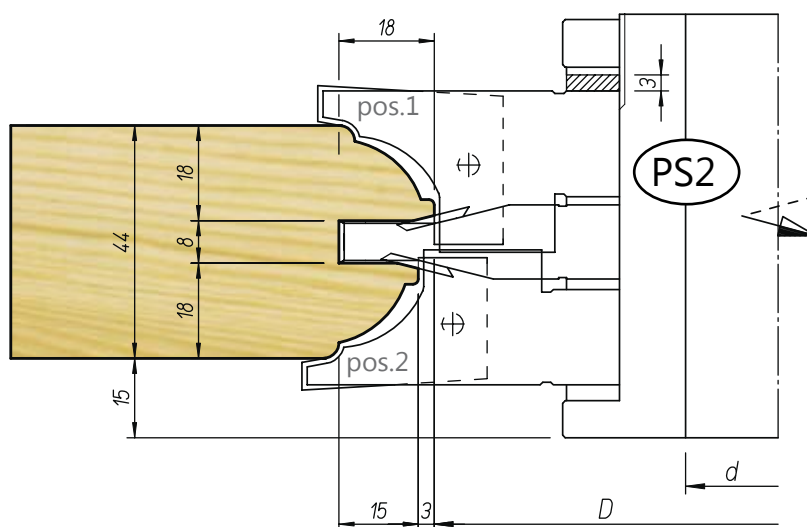
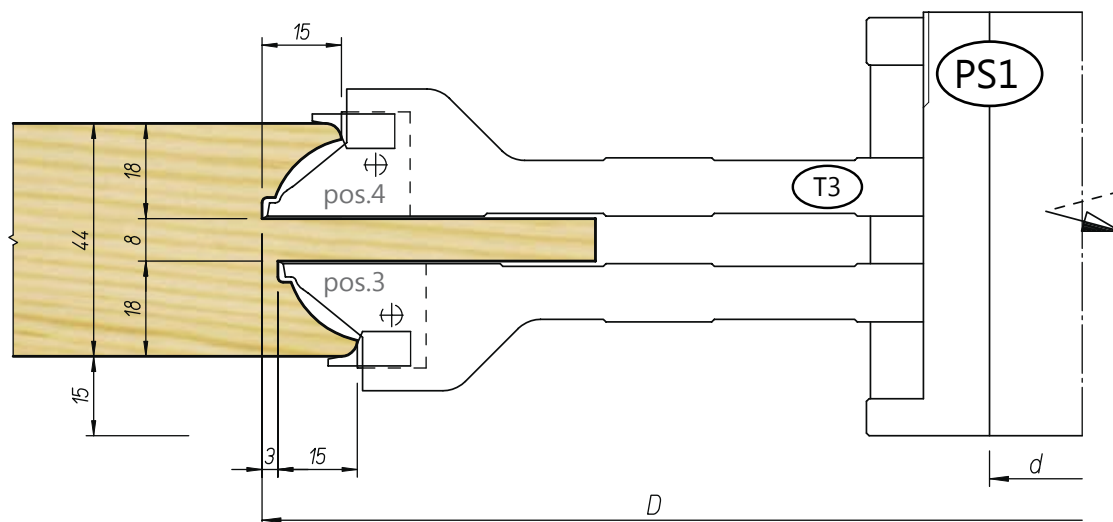
profili con vetro infilato

tool sets for assembled glass



lavorazioni con vetro infilato

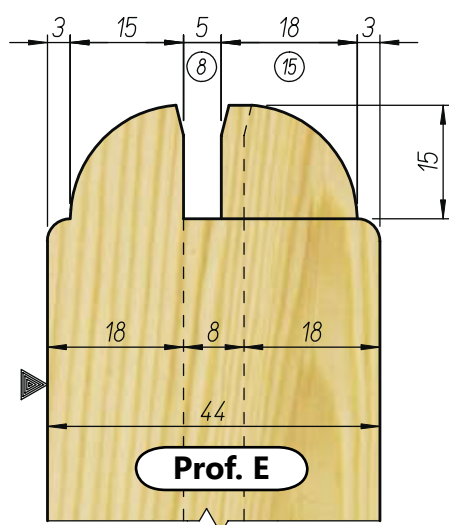
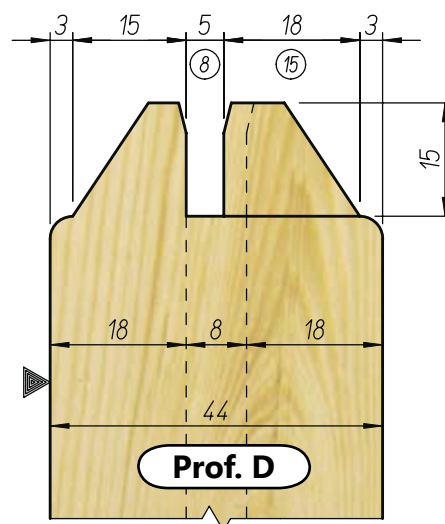
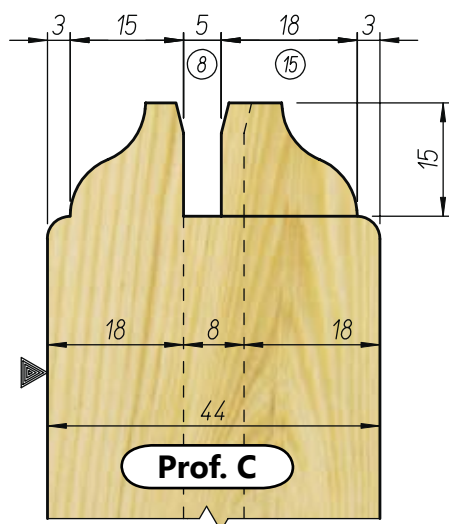
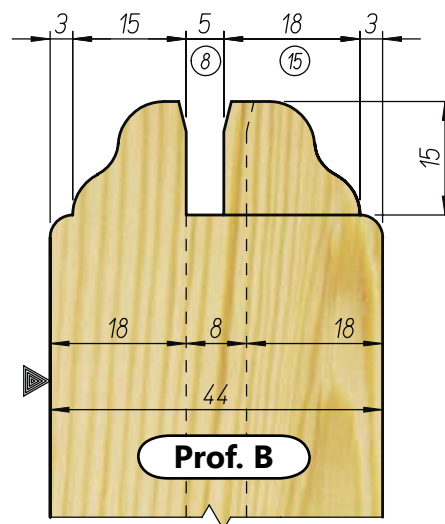
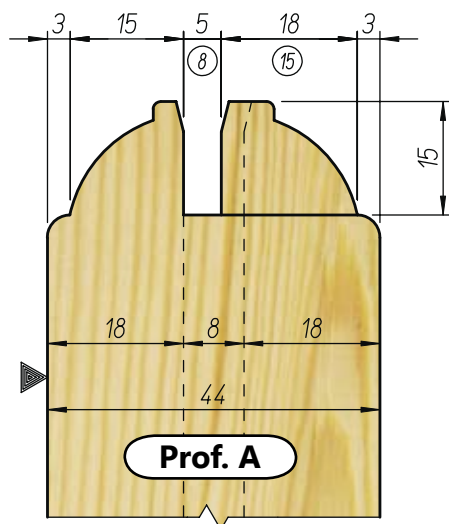
tools sets for assembled glass



Rif.	Cod.	D	d	Z	RPM max
T3	304 003 14	310	30→50	4	4400
PS1	304 001 04	310	30→50	4	4400
PS2	130 002 02	130	30→50	2	8000

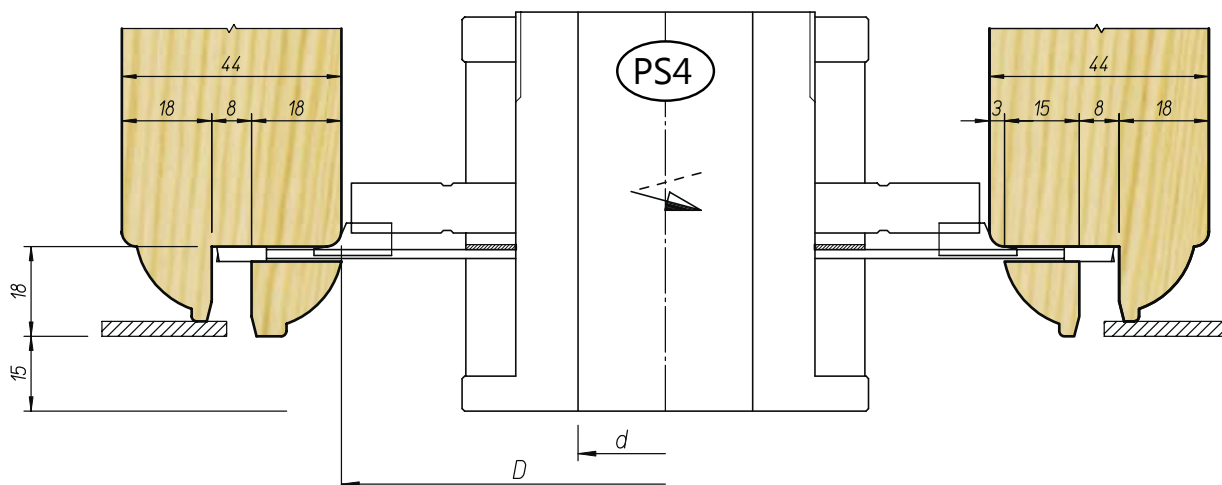
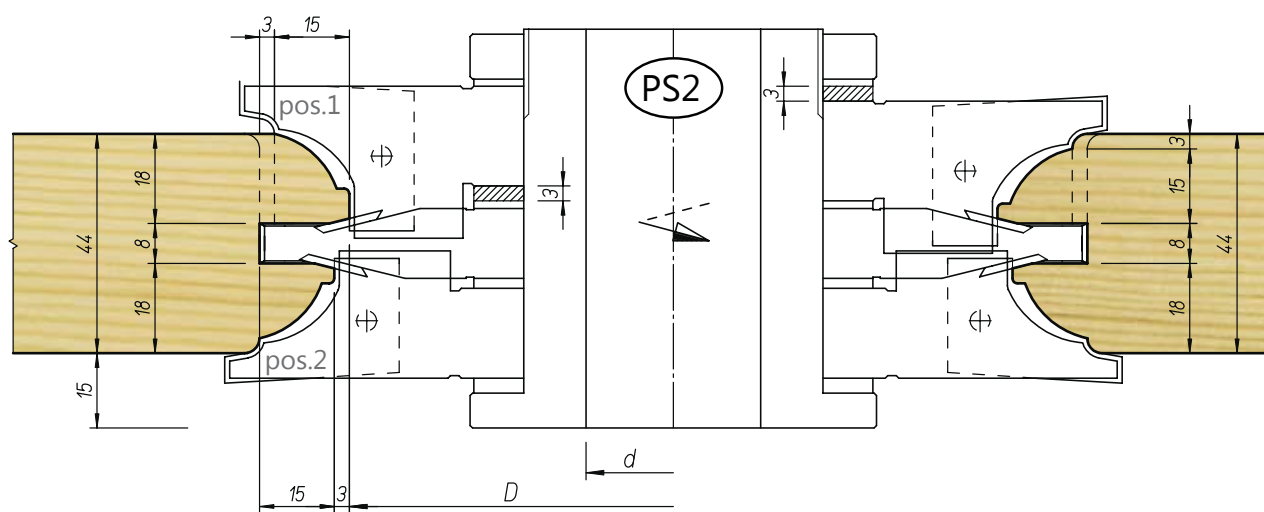
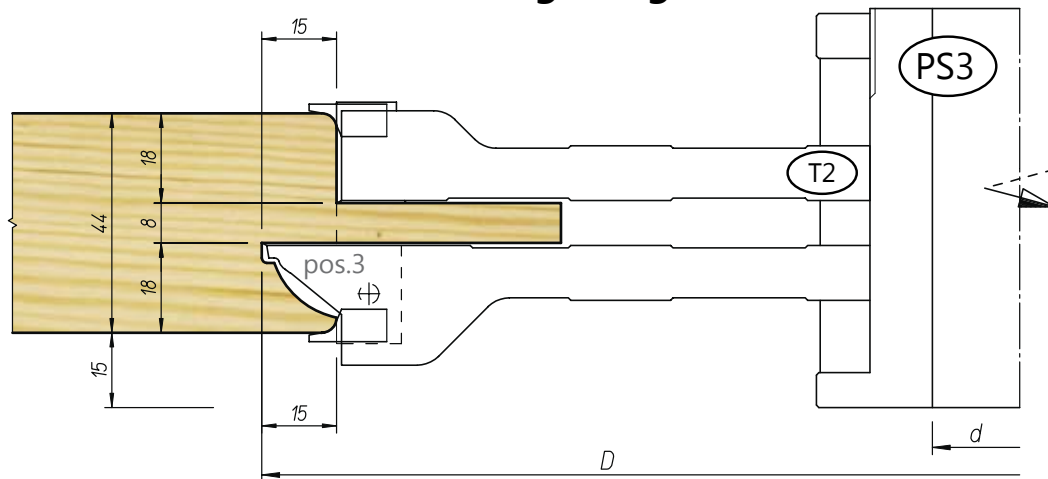
profili con recupero del listello

profiles with glazing bar



lavorazioni con recupero listello

works with glazing bars



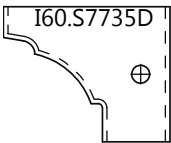
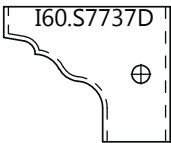
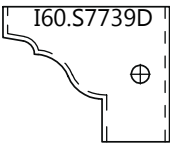
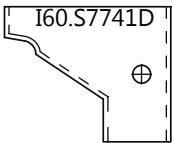
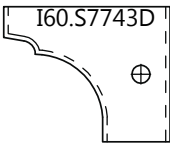


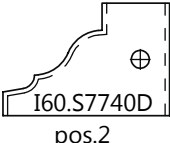
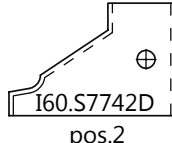

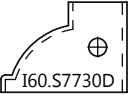
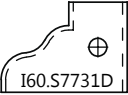
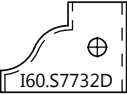
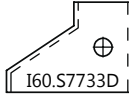
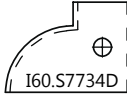
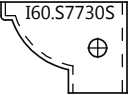
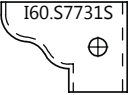
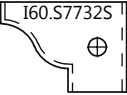
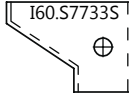
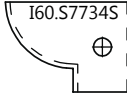
Rif.	Cod.	D	d	Z	RPM max
T2	274 002 14	274	30→50	4	4700
PS3	304 003 04	304	30→50	4	4400

Rif.	Cod.	D	d	Z	RPM max
PS2	130 002 02	130	30→50	2	8000
PS4	130 004 02	130	30→50	4	8000

VIVALDI

ricambi sagomati

profiled knives

	Prof. A	Prof. B	Prof. C	Prof. D	Prof. E
Profilo - Profile	pos.1 I60.S7735D 	pos.1 I60.S7737D 	pos.1 I60.S7739D 	pos.1 I60.S7741D 	pos.1 I60.S7743D 
	I60.S7736D pos.2 	I60.S7738D pos.2 	I60.S7740D pos.2 	I60.S7742D pos.2 	I60.S7744D pos.2 
Controprofilo - Counterprofile	pos.4 I60.S7730D 	pos.4 I60.S7731D 	pos.4 I60.S7732D 	pos.4 I60.S7733D 	pos.4 I60.S7734D 
	I60.S7730S pos.3 	I60.S7731S pos.3 	I60.S7732S pos.3 	I60.S7733S pos.3 	I60.S7734S pos.3 

Nota:

Gli utensili vengono forniti con 1 profilo a scelta tra i 5 disponibili.
Tools are supplied with 1 profile to choose from 5 profiles available.