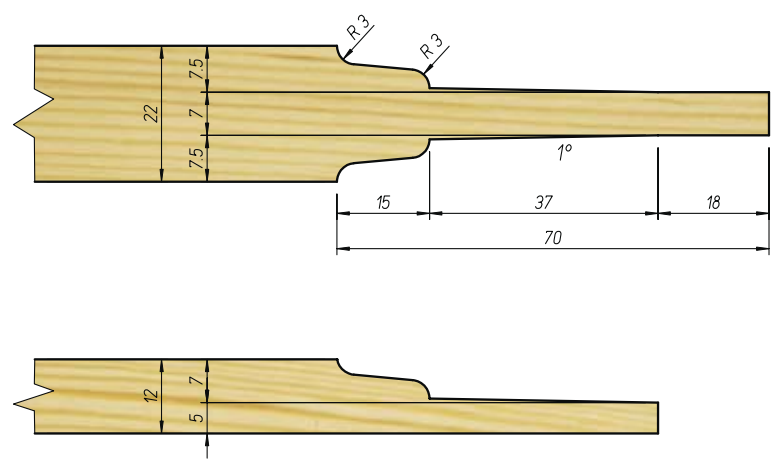
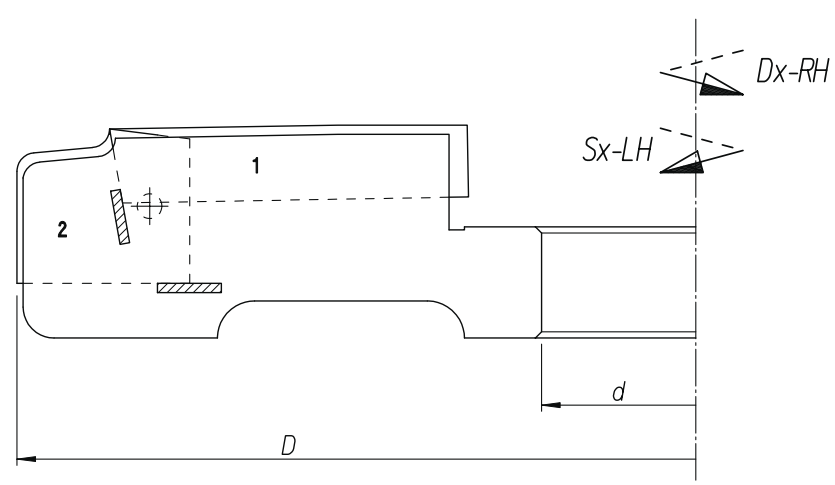


Art. 07 07

- FRESA PER PIATTABANDA
A "CALICE"**
- PANEL RAISING
CUTTER HEAD**
- OUTIL PLATE BANDE
A "CALICE"**

- ABPLATTMESSERKOPF**
- FRESA PARA PLAFONES
"A CALIZ"**
- ФРЕЗА ДЛЯ ФИЛЕНОК
"A CALICE"**



Ricambi-Spare Parts

Cod. Dx - RH	Cod. Sx - LH	D	d	Z	RPM max
220 035 60	220 035 61	220	30→50	3+3	6000

Pos.	Dx - RH	Sx - LH
1	I21.11H71D/45	I21.11H71S/45
2	I60S9799D	I60S9799S

