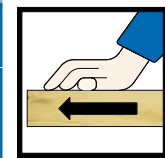
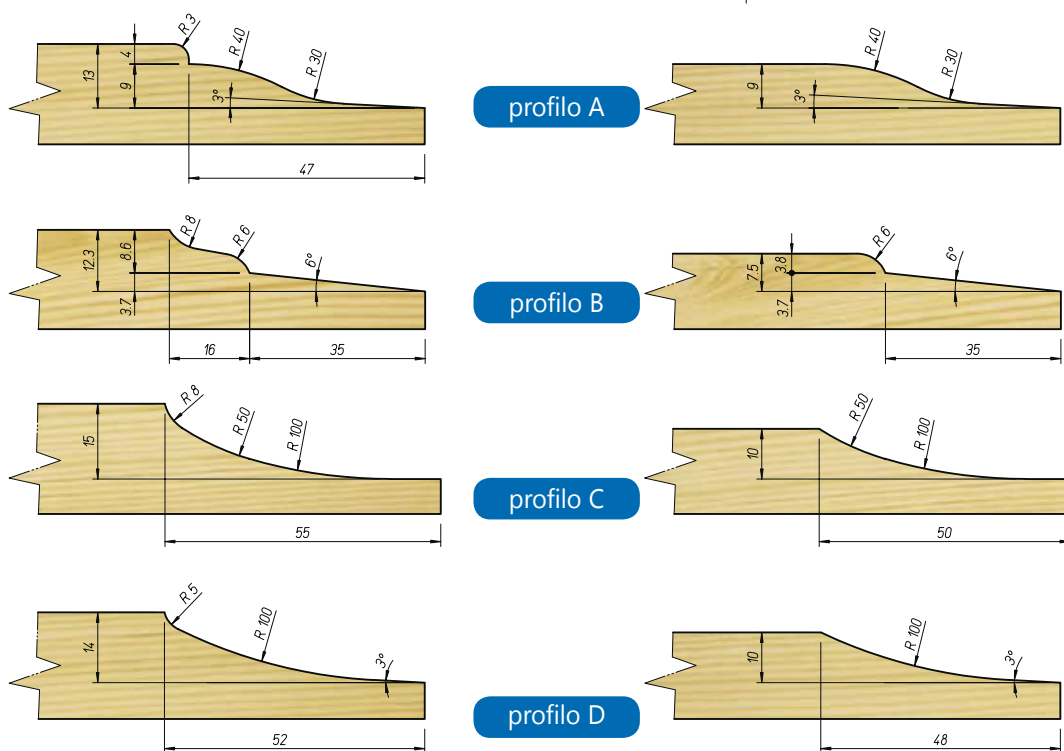
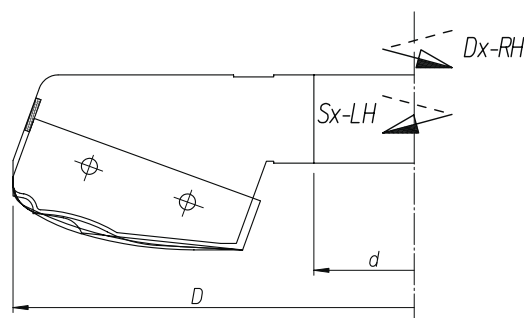


Art. 07 06



- FRESA PER PIATTABANDA
MULTIPROFILO**
- MULTIPROFILE RAISE
PANEL CUTTER HEAD**
- OUTIL PLATE BANDE A
PROFILS INTERCHANGEABLES**

- MULTIPROFIL
ABPLATTMESSERKOPF**
- FRESA PARA PLAFONES
MULTIPERFIL**
- МУЛЬТИПРОФИЛЬНАЯ КОНИЧЕСКАЯ
ФРЕЗА ДЛЯ ФИЛЕНОК**



Ricambi-Spare Parts

Cod. Dx - RH	Cod. Sx - LH	D	d	Z	RPM max
200 045 20	200 045 21	200	30→50	2	6200

Prof.	Dx-RH	Sx-LH
A	I60S10419D	I60S10419S
B	I60S10420D	I60S10420S
C	I60S10421D	I60S10421S
D	I60S10422D	I60S10422S

L'utensile viene fornito con 1 profilo a scelta.
Tool is supplied with 1 profile to choose from 4 profiles available.

VIVALDI