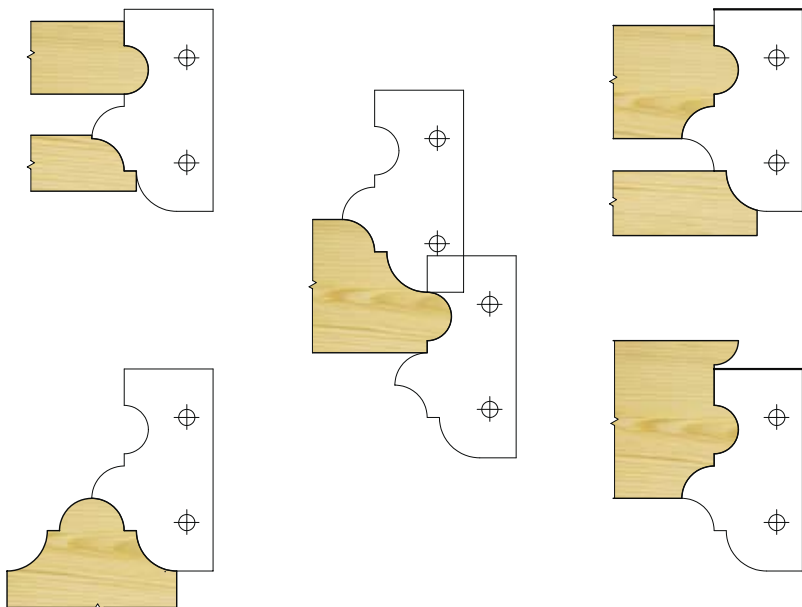
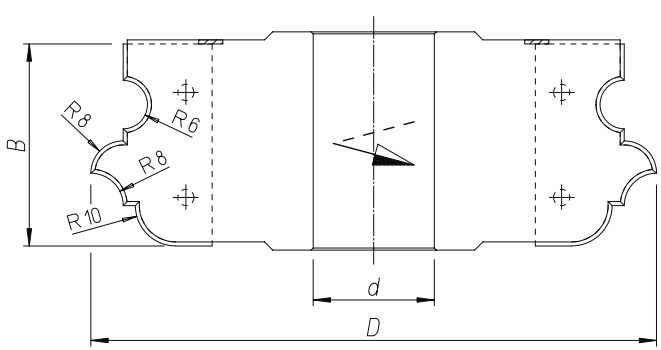


# Art. 06 12



- FRESA MULTIPROFILO
- MULTIPROFILE CUTTER HEADS
- PORTE-OUTILS MULTI-PROFILS
- MULTIPROFIL MESSERKÖPFE
- FRESA MULTIPERFIL
- МУЛЬТИПРОФИЛЬНАЯ ФРЕЗА



### Ricambi-Spare Parts

Descrizione-Description	Dimensione Dimension	Codice-Code
Coltello-Knife	50mm	I60.S1042D
Tassello-Wedge	-	I60.S1042D/T
Vite-Screw	M7x24	V13.7/24,6CE
Fermo-Allen Head	M6x14	V18.6/14

Cod.	D	B	d	Z	RPM max
140 050 00	140	50	30→40	2	7700
170 050 00	170	50	30→50	3	6900

