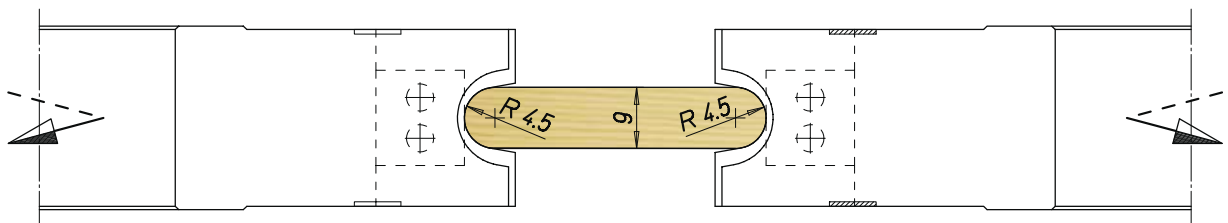
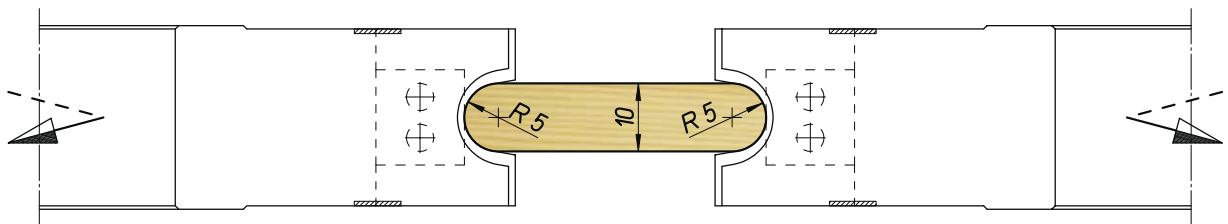
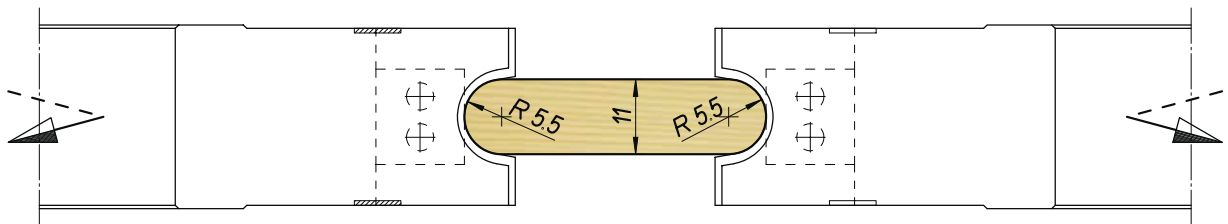
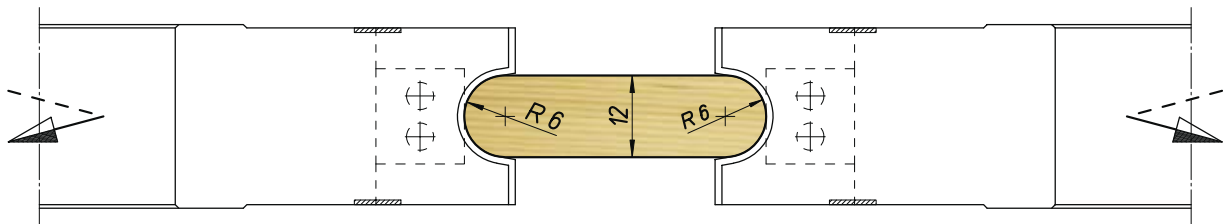


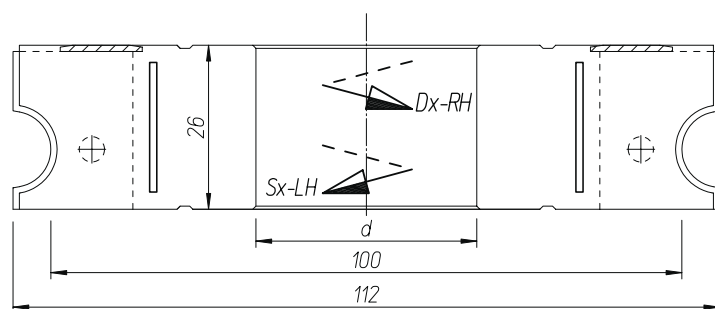
Art. 06 09



- FRESE PER PALETTE PERSIANE 
- ROUNDING CUTTER HEAD 
- PORTE-OUTILS POUR LAMES DE PERSIENNES 
- HALBRUND MESSERKOPF 
- FRESAS PARA TABLILLAS DE PERSIANAS 
- ФРЕЗЫ ДЛЯ СКРУГЛЕНИЯ КРОМКИ 

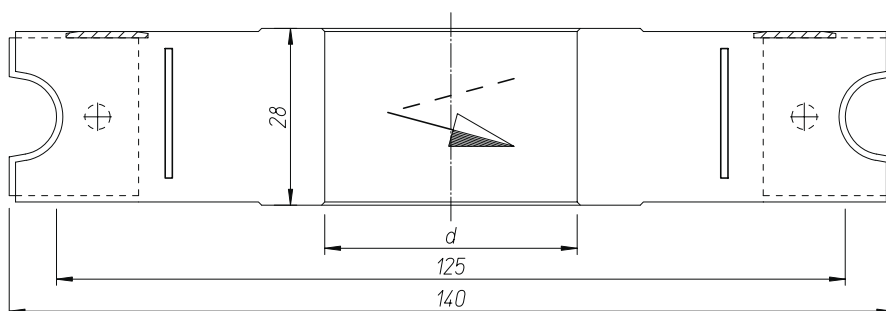


Versione Ø 100 Z2



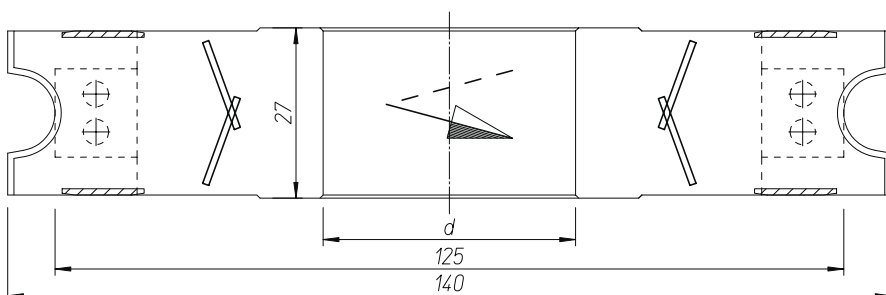
Cod. Dx-RH	Cod. Sx-LH	D	B	d	Z	RPM max
100 026 00	100 026 01	100	26	30→35	2	10500

Versione Ø 125 Z3



Cod. (Dx+Sx) (RH+LH)	D	B	d	Z	RPM max
125 028 00	125	28	30→50	3	9100

Versione Ø 125 Z3+3 Alto Rendimento



Cod. (Dx+Sx) (RH+LH)	D	B	d	Z	RPM max
125 027 00	125	27	30→50	3+3	9100

Ricambi-Spare Parts

Descrizione Description	Ø 100 Z2		Ø125 Z3	Ø 125 Z3+3	
	Dx-RH	Sx-LH	Dx-RH Sx-LH	Dx-RH	Sx-LH
R 4,5	I60S7668D	I60S7668S	I60S7663D	I60S7675D	I60S7675S
R 5	I60S7669D	I60S7669S	I60S7664D	I60S7657D	I60S7657S
R 5,5	I60S10447D	I60S10447S	I60S7665D	I60S7658D	I60S7658S
R 6	I60S7670D	I60S7670S	I60S7666D	I60S7659D	I60S7659S
Vite-Screw	(M7x24) V13.7/24.6CE				
Fermo-Allen H.	(M6x10 Ø14) 18.6/10				