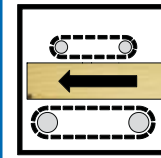
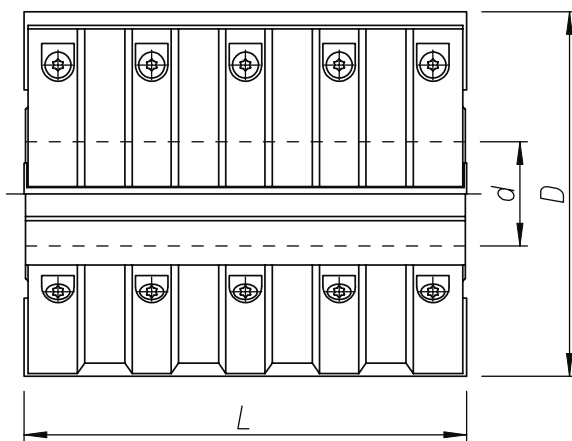
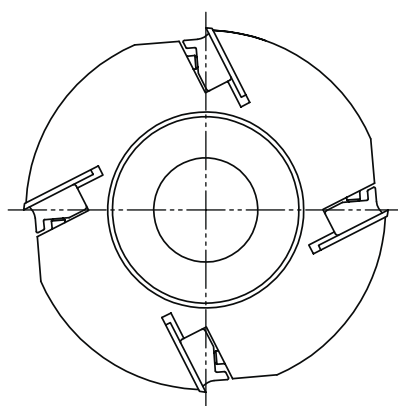


# Art. 01 06

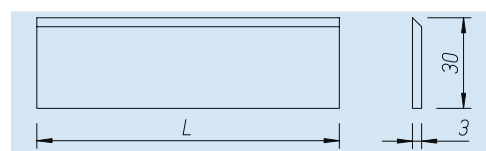


-  **TESTA A PIALLARE "SILENT"**
-  **"SILENT" PLANER HEADS**
-  **PORTE-OUTILS DE RABOTAGE CLASSIQUES TYPE "SILENT"**
-  **"SILENT" HOBELKÖPFE**
-  **CABEZALES PARA CEPILLAR "SILENT"**
-  **СТОГАЛЬНЫЕ ГОЛОВКИ "SILENT"**

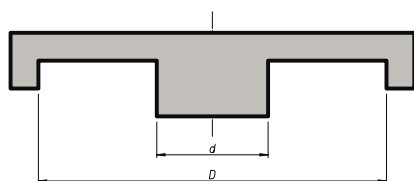


## Ricambi-Spare Parts

L	Cod. HS 18%	Cod. HW	Tassello Wedge	Vite Screw (M10)
100	I50.30/100	I52.30/100	I50.30/100/T	V21.10/25CEPC
130	I50.30/130	I52.30/130	I50.30/130/T	V21.10/25CEPC
150	I50.30/150	I52.30/150	I50.30/150/T	V21.10/25CEPC
180	I50.30/180	I52.30/180	I50.30/180/T	V21.10/25CEPC
230	I50.30/230	I52.30/230	I50.30/230/T	V21.10/25CEPC
260	I50.30/260	I52.30/260	I50.30/260/T	V21.10/25CEPC



CALIBRO DI POSIZIONAMENTO DEI COLTELLI  
KNIVES REGULATION TOOL



D	Cod. d=35	Cod. d=40	Cod. d=50
125	125 035 99	125 040 99	125 050 99
140	140 035 99	140 040 99	140 050 99

Cod. Acciaio Steel	Cod. Lega Light-Alloy	D	L	d	Z	RPM max
125 100 00	125 100 10	125	100	30→40	4	9100
125 130 00	125 130 10	125	130	30→40	4	9100
125 150 00	125 150 10	125	150	30→40	4	9100
125 180 00	125 180 10	125	180	30→40	4	9100
125 230 00	125 230 10	125	230	30→40	4	9100
125 260 00	125 260 10	125	260	30→40	4	9100
140 100 00	140 100 10	140	100	30→50	4	7700
140 130 00	140 130 10	140	130	30→50	4	7700
140 150 00	140 150 10	140	150	30→50	4	7700
140 180 00	140 180 10	140	180	30→50	4	7700
140 230 00	140 230 10	140	230	30→50	4	7700
140 260 00	140 260 10	140	260	30→50	4	7700