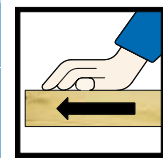





Art. 05 04

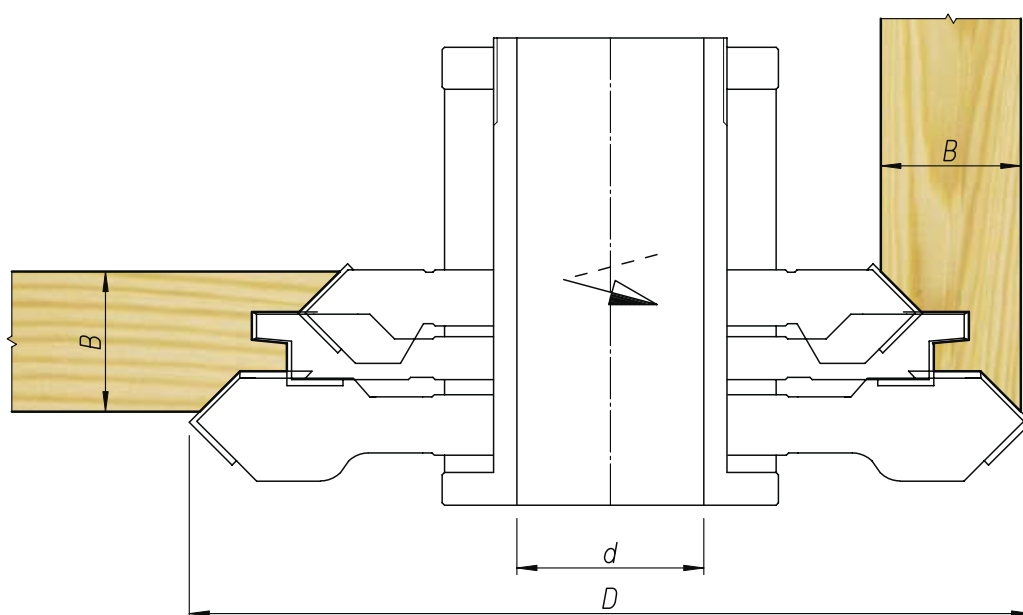


-  **FRESA PER GIUNZIONI D'ANGOLO "PRO"**
-  **MITER GLUE JOINT CUTTERS, "PRO"**
-  **PORTE-OUTILS ASSEMBLAGE D'ANGLE RENFORCÉ**

GEHRUNGSVERLEIMMESSERKOPF, "PRO" 

FRESA PARA UNIONES DE ANGULOS "PRO" 

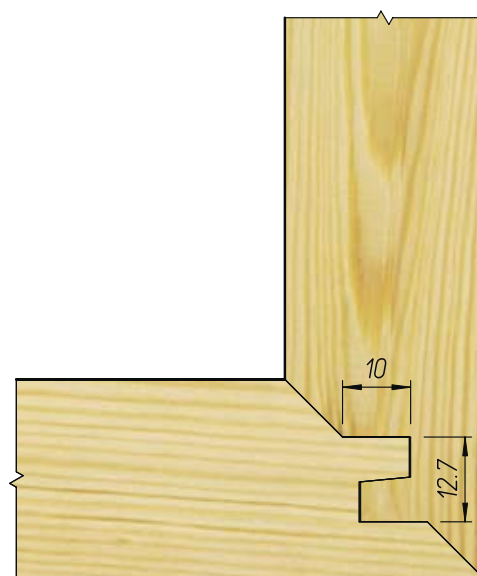
ФРЕЗА ДЛЯ УГЛОВЫХ СОЕДИНЕНИЙ НА ШИП "PRO" 



Cod.	D	B	d	Z	RPM max
180 153 60	180	20÷30	30→50	2+2	6600

Ricambi-Spare Parts

Descrizione-Description	Dimensione-Dimension	Codice-Code
Coltello-Knive	5,65mm	I11.08B
Coltello-Knive	12x12x1,5mm	I11.02
Coltello-Knive	15x12x1,5mm	I11.03
Coltello-Knive	14x14x2mm	I15.09
Vite-Screw	M7x24	V13.7/24,6CE
Vite-Screw	M6x14,5	V14,6/14,5CT
Vite-Screw	M7x24	V13.7/24,6CE



VIVALDI