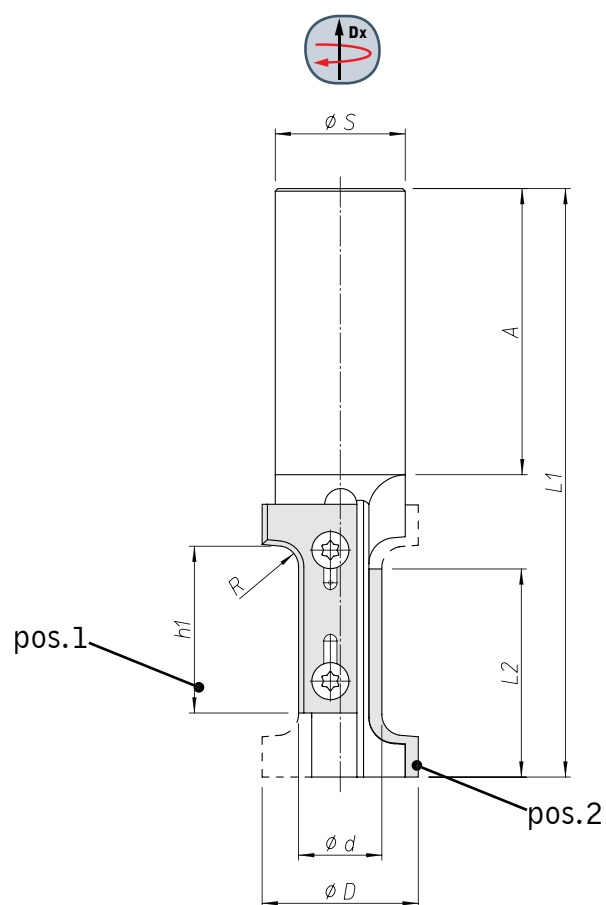


Fresa per raggi e smussi Z=1+1



Fresa (senza coltelli)

ØD	Ød	L1	SxA	Z	Codice
28-34	20	113	20x55	1+1	FRPA0335
49-57	35	150	25x55	1+1	FRPA0336

Coltelli

	h1	L2	Codice pos.1	Codice pos.2
R=3	19-34	40	I60S11721	I60S11722
R=4	19-34	40	I60S11723	I60S11724
R=5	19-34	40	I60S11725	I60S11726
R=6	19-34	40	I60S11727	I60S11728
R=6	35-56	50	I60S11729	I60S11730
R=8	35-56	50	I60S11731	I60S11732
R=10	35-56	50	I60S11733	I60S11734
45°	29-42	40	I60S11735	I60S11736
45°	43-56	50	I60S11737	I60S11738